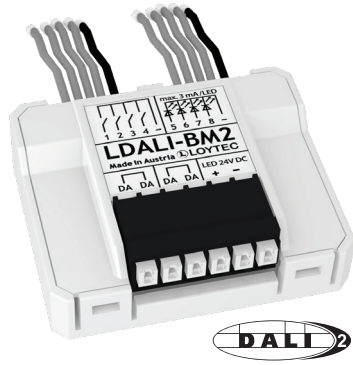


LDALI-BM2

Datasheet #89057620



The LDALI-BM2 pushbutton coupler integrates up to four customary light push buttons and switches into a DALI channel. Alternatively, two of the four inputs can be used as analog inputs to connect devices like sliders, dials or even resistance based sensors like NTC temperature sensors.

Connected pushbuttons or switches can be used to control luminaires and sunblinds using L-DALI lighting controllers or L-ROC room automation controllers. The following functions are available:

- Dim up, dim down
- Off
- On with last dimming value
- Scene recall: 1–15
- Dim to a specified value in %
- Color temperature warmer/colder
- Active auto mode
- Move Sunblind up/down
- Set area Occupied/Unoccupied

In the mode toggle, the function is carried out depending on the lighting status (toggle switch). Communication and power supply is handled via the DALI bus. The LDALI-BM2 is a DALI-2 certified input device as defined in the IEC 62386 2014 standard and can be integrated into DALI-2 systems of other vendors.

Features

- Easy integration into LOYTEC L-DALI lighting systems and LROC-40x room automation controllers
- DALI-2 certified input device as defined in IEC 62386 2014 standard
- 2 digital inputs (dry contact) for conventional pushbuttons or switches
- 2 universal inputs (potential free) for conventional push-buttons, switches, sliders, dials or NTC temperature sensors
- 4 outputs for direct control of feedback LEDs*
- Multi-master compatible, up to 64 LDALI-BM2 pushbutton couplers per DALI channel with sufficient dimensioned bus supply
- Supplied via the DALI channel, no external power supply is necessary
- Pre-confectioned wires for connection of inputs
- Optimized for mounting behind standard switches

Specifications

Dimensions (mm)	45.8 x 37.8 x 13.5 (L x W x H), DIM041
Installation	flush-mounted installation, can be directly installed behind the pushbutton/switch
Power supply	DALI bus, typ. 3.0 mA at 16 V DC (without LEDs) Optional 24 V DC (± 10%) required to supply feedback LEDs
Operating conditions	0 °C to 50 °C, 10–90 % RH, noncondensing, degree of protection: IP20
Interfaces	1 x DALI, protected against overvoltage (mains voltage) 2 x universal inputs (digital input or resistance measurement, not protected against overvoltage, pluggable), wire length < 10 m (digital), wire length < 50 cm (analog) 2 x digital input (dry contact, not protected against overvoltage, pluggable), wire length < 10 m 4 x outputs for feedback LEDs*
DALI protocol conformance (IEC 62386 parts)	101 ed2, 103 ed1 (input device), 301 ed1 (digital inputs), 302 ed1 (universal inputs)
For use with	LDALI-3E101-U, LDALI-3E102-U, LDALI-3E104-U, LDALI-ME201-U, LDALI-ME204-U, LDALI-PLC4, LROC-40x

Resource limits

Number of LDALI-BM2	64 per DALI channel, with sufficient dimensioned DALI bus power supply
Connection wires profile	0.2 - 1.5 mm ² [AWG 24 - 16]
Wire stripping length	8 mm [0.31 in]
Wire length for digital inputs	< 10 m
Wire length for universal inputs (digital)	< 10 m
Wire length for universal inputs (analog)	< 50 cm

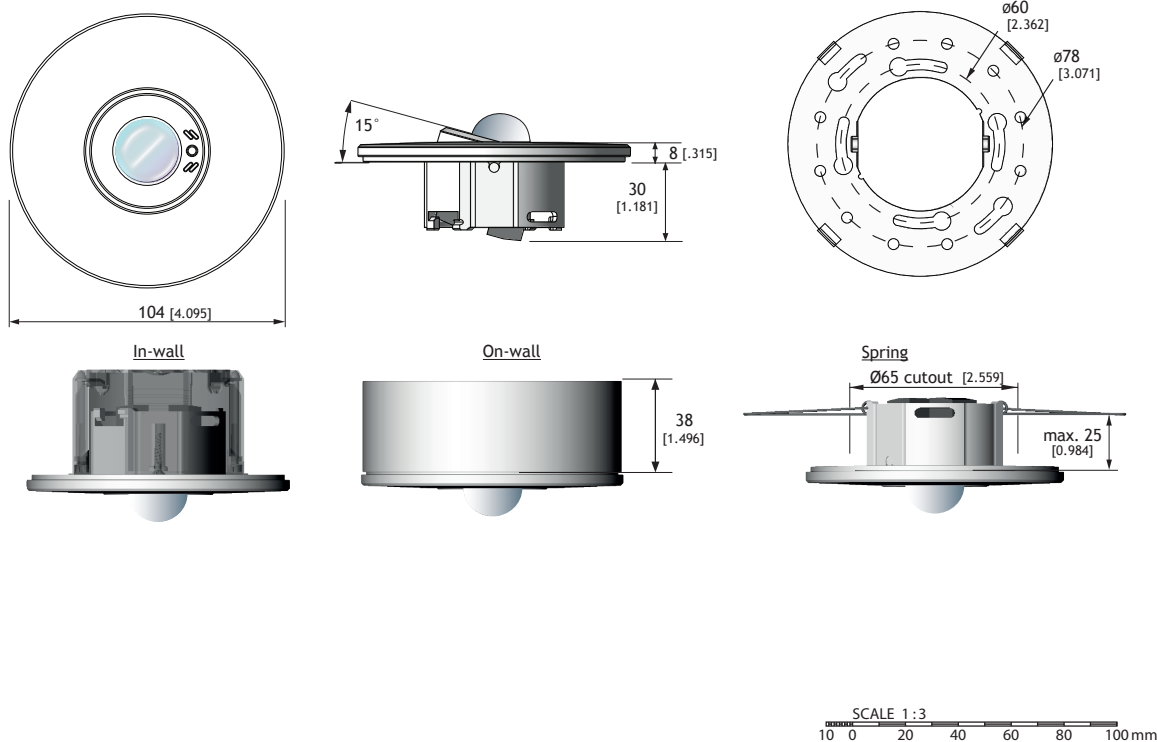
Order number Product description

LDALI-BM2	Quadruple DALI pushbutton coupler
-----------	-----------------------------------

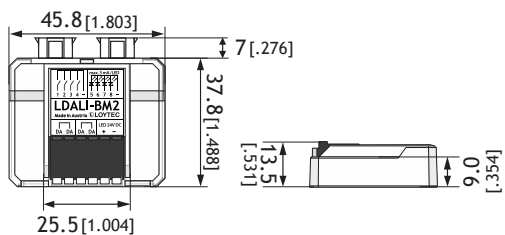
* Available in future product version

Dimensions of the devices in mm and [inch]

DIM040 LDALI-MS2



DIM041 LDALI-BM2



DIM042 LDALI-RM3
LDALI-RM4

