

LPOW-2415B Power Supply

Installation instructions

Instructions de montage

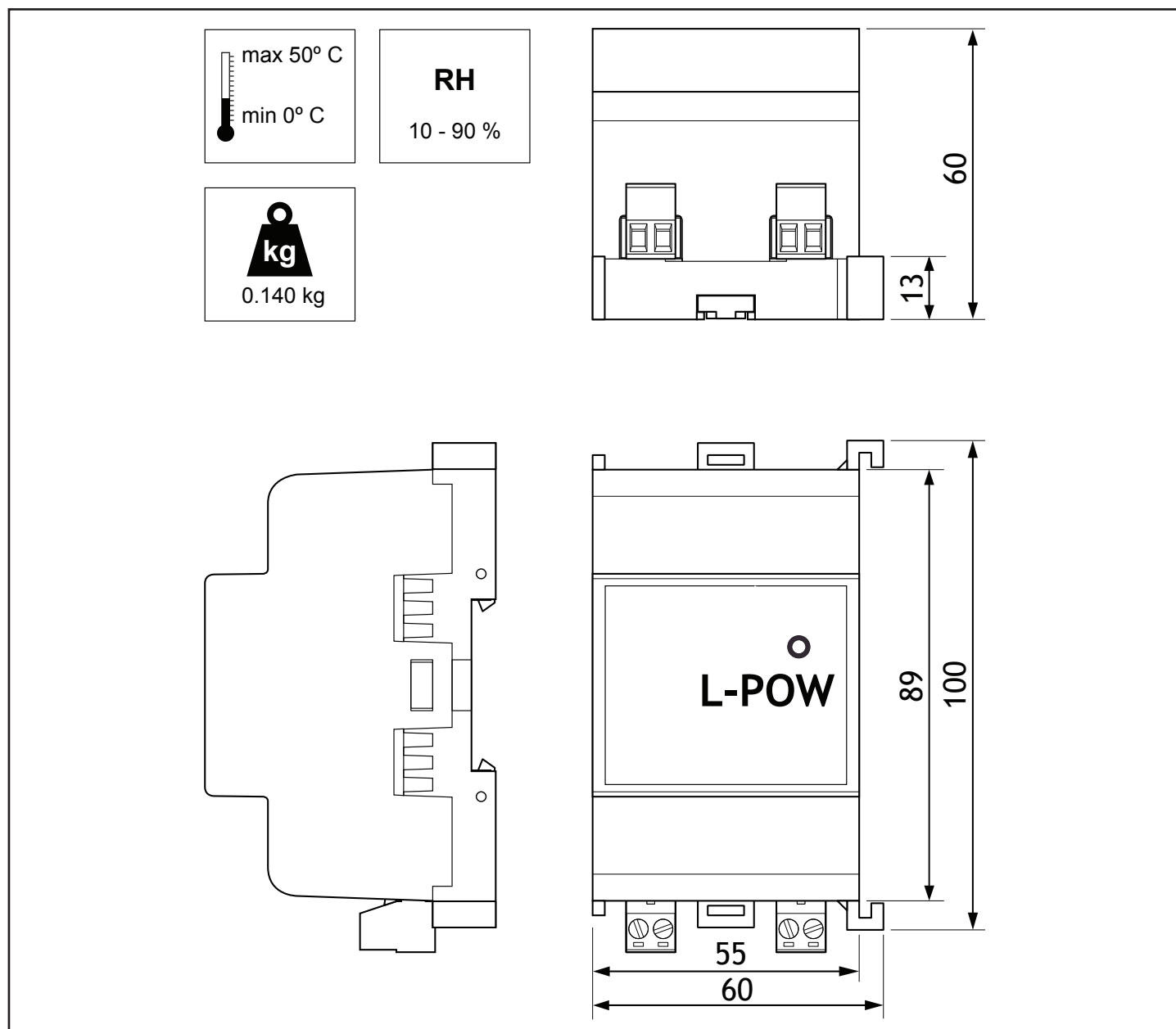
Montageanweisung

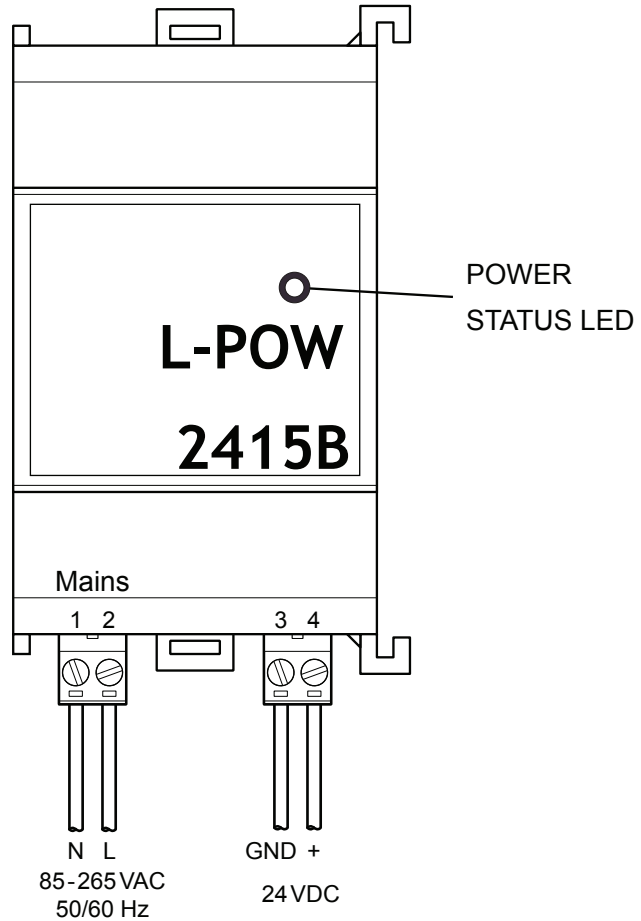
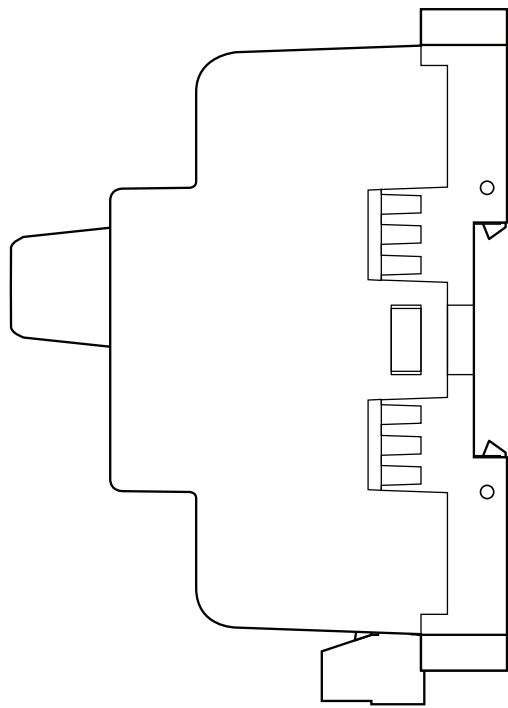
Montagevoorschrift

Istruzioni di montaggio

Instrucciones de montaje

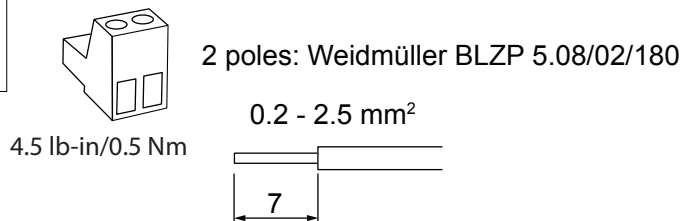
Monteringsanvisning

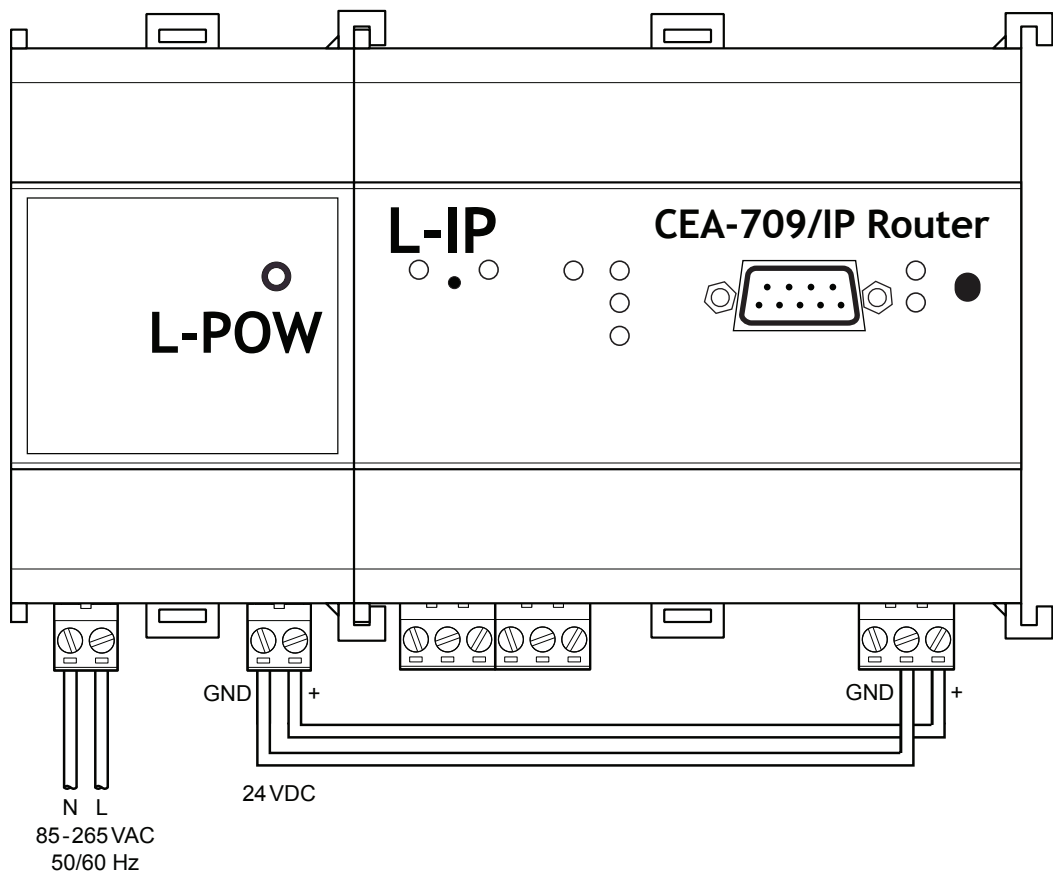




Connectors		
POWER INPUT 85-265 VAC 50 / 60 Hz	1	Input N, neutral line
	2	Input L, phase line
OUTPUT 24 VDC max. 15 W (625 mA)	3	Output GND
	4	Output PLUS

Status LED		
POWER	GREEN	Power supply OK
	LED is OFF	Main side is down, short circuit, or hardware failure





35 mm x 7.5 mm DIN rail (EN 50022, BS 5584, DIN 46277-3)

