

## LENO-800, LENO-801, LENO-802

Datasheet #89032520



The L-ENO EnOcean Interface integrates wireless self-powered sensors and micro-energy devices seamlessly into building automation with the use of L-INX Automation Servers, the L-ROC Room Controller, the LIOB-AIR Controller, the L-GATE Universal Gateways and the L-DALI Controller. The L-ENO Interface only needs to be connected to the USB port. The L-ENO device is bus-powered over USB and detected automatically.

The L-ENO EnOcean Interfaces are available in three different versions for world-wide use:

- LENO-800 Europe 868 MHz band
- LENO-801 USA/Canada 902 MHz band
- LENO-802 Japan 928 MHz band

## Features

- EnOcean Interface for L-INX, L-ROC, L-DALI, L-GATE and LIOB-AIR
- Supports all common EnOcean Profiles (EEPs) for sensors and actuators
- Configurable through device templates within the L-INX Configurator software
- Web interface for Teach-In, signal strength, and value test
- Easy device replacement
- External antenna included
- Connected to the L-INX Automation Server, L-ROC Room Controller, L-DALI Controller, L-GATE Gateway or LIOB-AIR Controllers via USB 2.0
- Support of multi-channel EnOcean devices
- Encrypted wireless connection if the EnOcean device supports this function
- Supports Mailbox function for sleepy actuators (e.g., battery-powered radiator valve)

## Specifications

Type	LENO-800	LENO-801	LENO-802
Dimensions (mm)	27 x 89 x 60 (L x W x H) DIM037 , EnOcean antenna DIM036		
Installation	DIN rail mounting following DIN 43880, top hat rail EN 50022 The external antenna has to be installed outside any metallized enclosure.		
Power supply	Via the USB 2.0 bus connection		
Operating conditions	0 °C to 50 °C, 10 – 90 % RH, noncondensing, degree of protection: IP40, IP20 (terminals)		
Installation	Connected with a standard USB 2.0 cable, max. 5 m		
Interfaces	1 x Mini USB 2.0 Type B 1 x EnOcean Wireless Interface conforming to ISO/IEC 14543-3-10 1 x SMA 50 Ohm, EnOcean antenna with 1.5 m connection cable and magnetic base		
Frequency	868.3 MHz	902.875 MHz	928.35 MHz
RF Output Power	3 dBm	1 dBm	0 dBm
Data rate	125 kbit/s		
Tools	L-INX Configurator		
For use with	L-INX Automation Servers, L-ROC Room Controllers, L-DALI Controllers, L-GATE Universal Gateways, LIOB-AIR Controllers		

## Order number

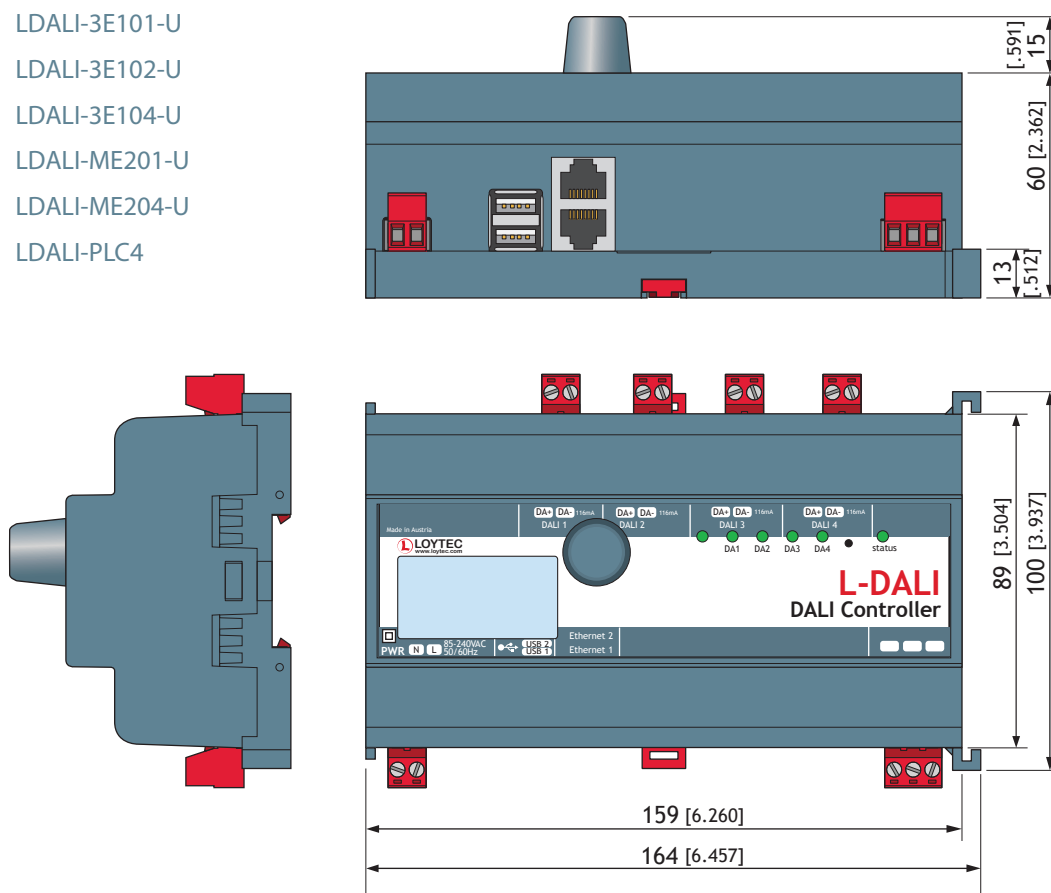
## Product description

LENO-800	EnOcean Interface 868 MHz Europe
LENO-801	EnOcean Interface 902 MHz USA/Canada
LENO-802	EnOcean Interface 928 MHz Japan

## Dimensions of the devices in mm and [inch]

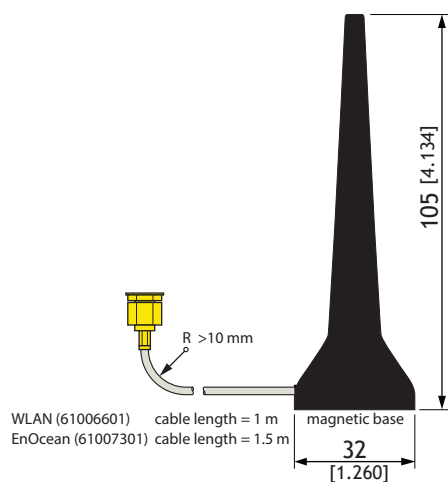
### DIM035

- LDALI-3E101-U
- LDALI-3E102-U
- LDALI-3E104-U
- LDALI-ME201-U
- LDALI-ME204-U
- LDALI-PLC4



### DIM036

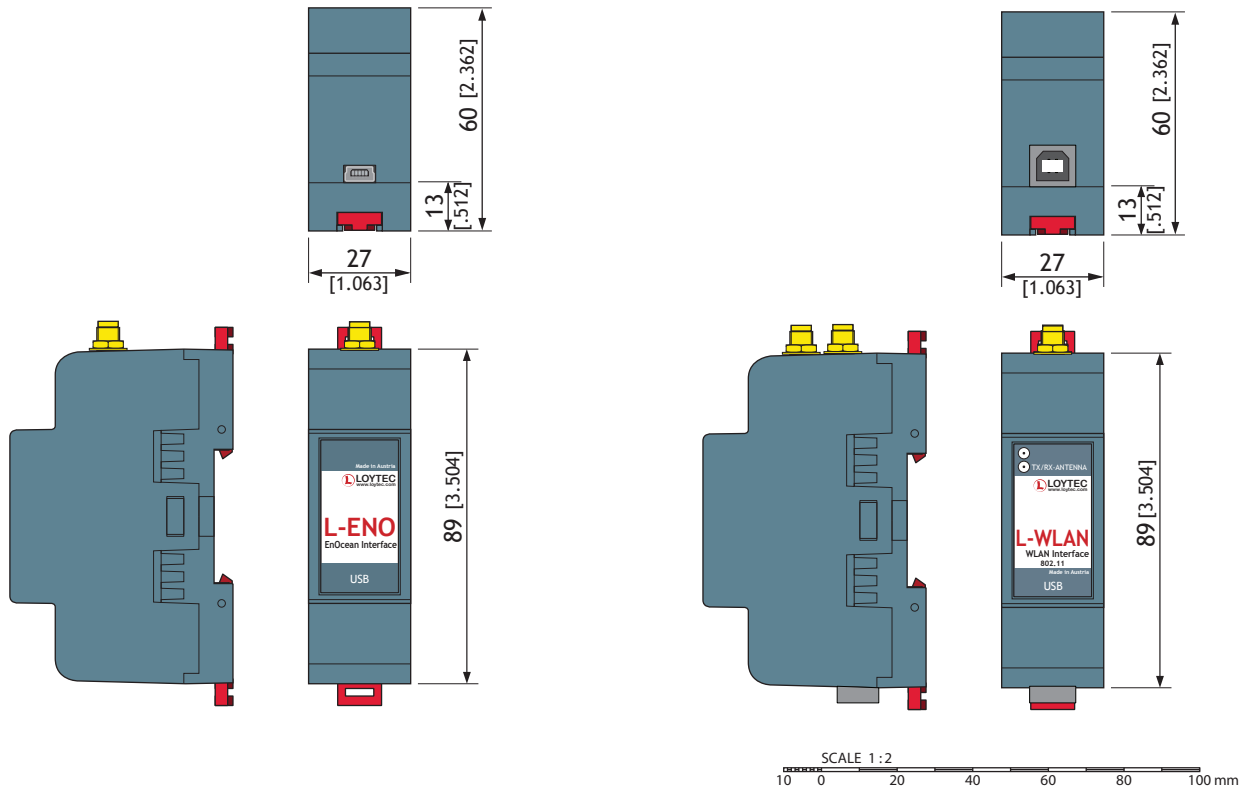
- WLAN Antenna 2.4 GHz
- EnOcean Antenna 868 - 928 MHz



# Dimensions of the devices in mm and [inch]

**DIM037** LENO-800  
LENO-801  
LENO-802

**DIM038** LWLAN-800



**DIM039** L-RC1

