

LDALI-MS2

Datasheet #89058320



The LOYTEC LDALI-MS2 multi-sensor performs occupancy detection and measures the lux level. It integrates perfectly into the L-DALI product line of lighting controllers and LROC-40x room automation controllers. The sensor uses a passive infrared presence detector, which is optimized for use in typical office environments, where even the small movements of somebody working at a desk have to be detected across the complete detection area. Its presence detection zone diameter of 10.8 m at 3 m mounting height is ideal to cover a typical office room or an area in an open office space.

With the built-in infrared receiver, the room's lights, sunblinds and HVAC system can be controlled via the optionally available IR remote control L-RC1. In addition to occupancy and lux sensors, the LDALI-MS2 comes with integrated temperature and humidity sensors. In room automation applications, those values can be used to calculate the current dew point. On the back of the sensor, there is a connector for three digital inputs, allowing to connect conventional switches and push-buttons, window contacts, dew point sensor, etc. This feature not only saves on additional hardware, but also significantly reduces wiring costs, as the inputs can be wired inside the room and wires no longer have to be pulled to the I/O modules in the switching cabinet.

The LDALI-MS2 comes with three mounting options: It can be mounted in-wall in standard flush-mounted boxes, spring snap in false ceilings and on-wall with the included surface mounting box.

Communication and power supply is handled via the DALI bus. The LDALI-MS2 supports the DALI-2 protocol as defined in the IEC 62386 2014 standard and can be integrated into DALI-2 systems of other vendors.

Features

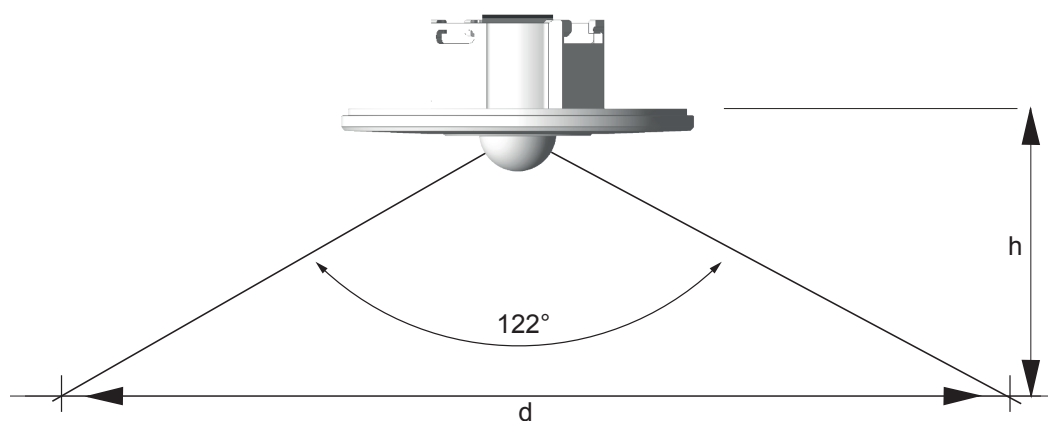
- Easy integration into LOYTEC L-DALI lighting systems and LROC-40x room automation controllers with a special focus on lighting control and reducing energy costs
- Supports DALI-2 as defined in IEC 62386 2014 standard (input device)
- High sensitivity Occupancy detection (PIR), optimized for office applications
- Lux level measurements
- Built-in infrared receiver for optional infrared remote control L-RC1
- Temperature sensor
- Humidity sensor
- 3 digital inputs (dry contact)
- LDALI-MS2 can be mounted in a flush-mounted box, directly in false ceilings (spring mount included) or on-wall (surface mounting box included)
- Multi-master compatible, up to 16 LDALI-MS2 sensors per DALI channel given a sufficiently dimensioned bus supply
- Supplied via the DALI channel, no external power supply is necessary
- Sensor head can be tilted up to $\pm 15^\circ$ vertically

Specifications

Dimensions (mm)	Total-Ø: 104; flush-mounted-Ø: 58; height flush-mounted: 30; DIM040
Installation	Ceiling mount: <ul style="list-style-type: none"> • Flush-mounted installation • Direct installation in false ceilings (spring mount included) • On-wall (surface mounting box included)
Power supply	DALI bus, typ. 3.5 mA at 16 VDC
Operating conditions	0 °C to 50 °C, 10 – 90 % RH, noncondensing, degree of protection: IP20
Interfaces	1 x DALI 1 x infrared remote control receiver 3 x digital input (dry contact, not protected against overvoltage)
DALI protocol conformance (IEC 62386 parts)	101 ed2, 103 ed1 (input device), 301 ed1 (digital inputs, IR remote), 303 ed1 (PIR), 304 ed1 (lux sensor)
Color	RAL 9010, pure white
For use with	LDALI-3E101-U, LDALI-3E102-U, LDALI-3E104-U, LDALI-ME201-U, LDALI-ME204-U, LDALI-PLC4, LROC-40x

Functions
L-WEB, L-STUDIO
L-ROC
L-INX
L-IOB
Gateways
L-VIS, L-STAT
L-DALI
Routers, NIC
Interfaces
Accessories

Resource limits	
Number of LDALI-MS2	16 per DALI channel, with sufficient dimensioned DALI bus power supply
Passive infrared motion detector	Detection diameter: 10,8 m @ 3 m mounting height (92 m ²), 136 zones, opening angle: 122°
Mounting height	max. 5 m
Lux level measurement	0 – 4000 lux, resolution: 0.125 lux
Temperature measurement	- 5 - 60 °C, resolution: 0.1 °C, accuracy: ±0.2 °C (0 – 70 °C)
Rel. Humidity measurement	0 % – 100 %, resolution 0.5 %, accuracy: typ. ±2.2 % R.H. @ 25 °C, 20 % – 80 % R.H. typ. ±4 % R.H. @ 25 °C, 0 % – 20 % R.H. and 80 % – 100 % R.H.
Connection wires profile	0.2 - 1.5 mm ² [AWG 28 - 14]
Wire stripping length	6 mm [0.24 in]
Wire length for digital inputs	< 10 m



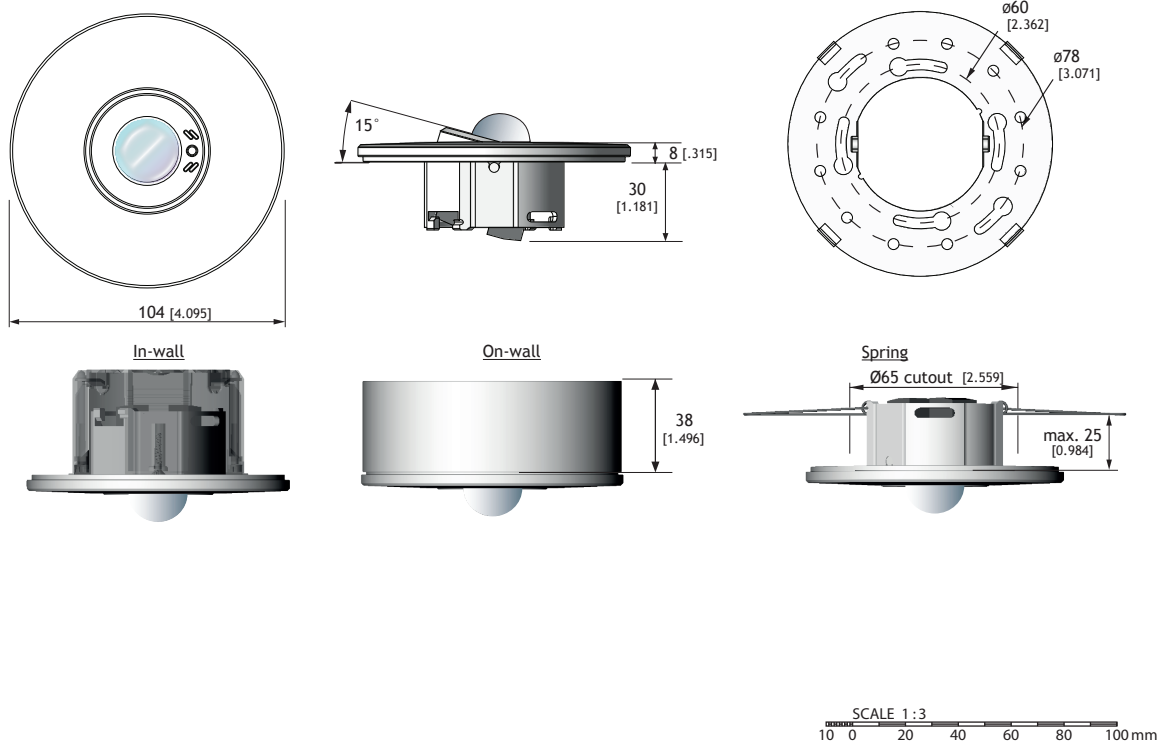
Mounting Height / Coverage

h [m]	d [m]	A [m ²]
1.5	5.4	23
2.0	7.2	41
2.5	9.0	64
2.7	9.7	75
3.0	10.8	92
3.5	12.6	125
4.0	14.4	164
4.5	16.2	207
5.0	18.0	256

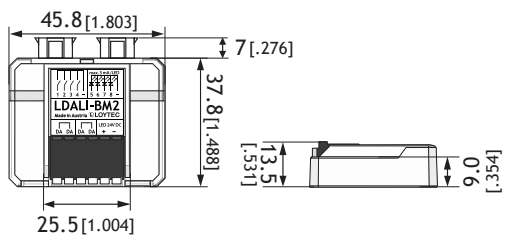
Order number	Product description
LDALI-MS2	DALI multi-sensor (presence detection, lux sensor, IR receiver, temperature sensor, humidity sensor, 3 digital inputs)
L-RC1	Infrared remote control for room automation applications

Dimensions of the devices in mm and [inch]

DIM040 LDALI-MS2



DIM041 LDALI-BM2



DIM042 LDALI-RM3
LDALI-RM4

