

LIOB-150 I/O Module

Installation instructions

Instructions de montage

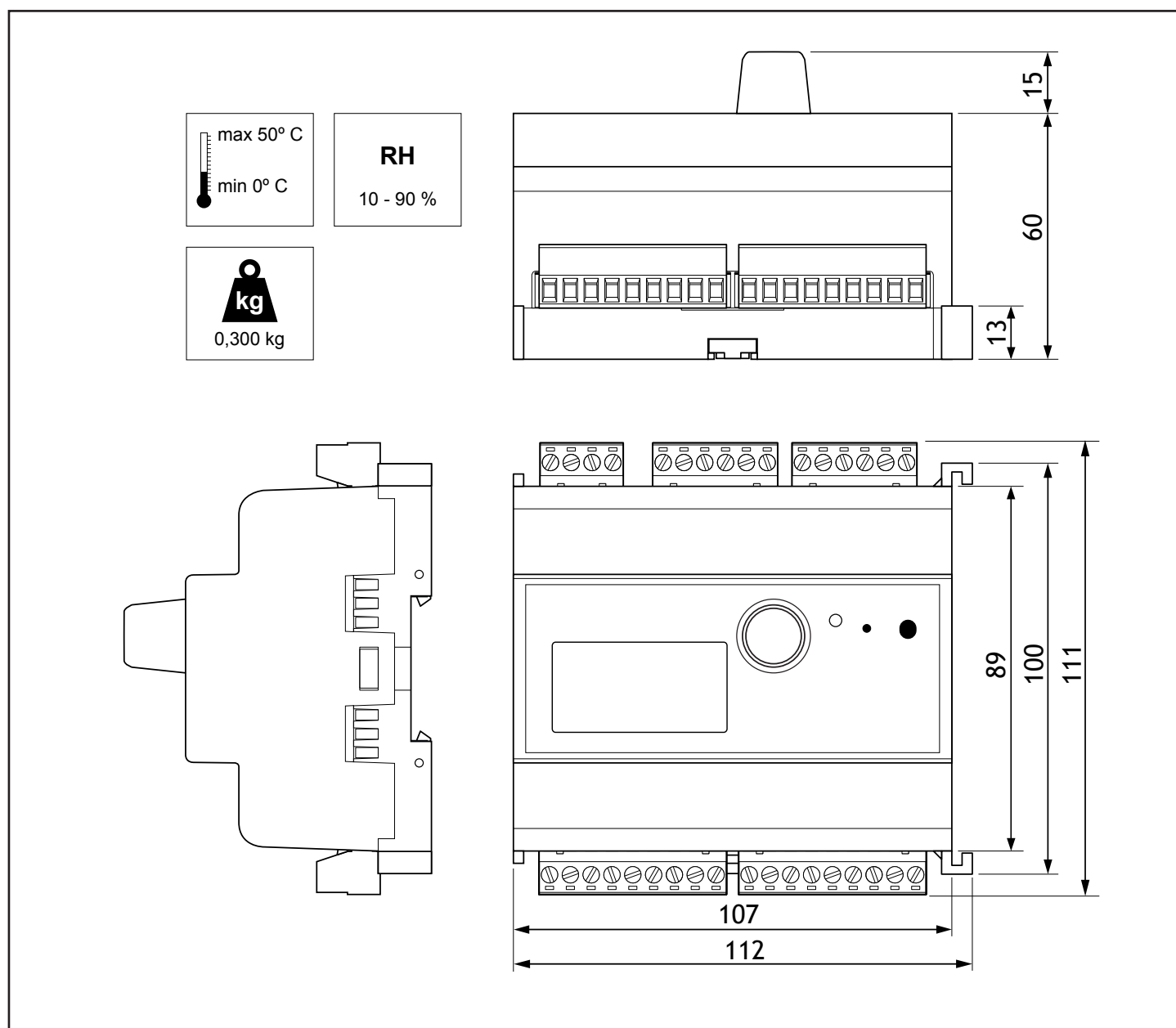
Montageanweisung

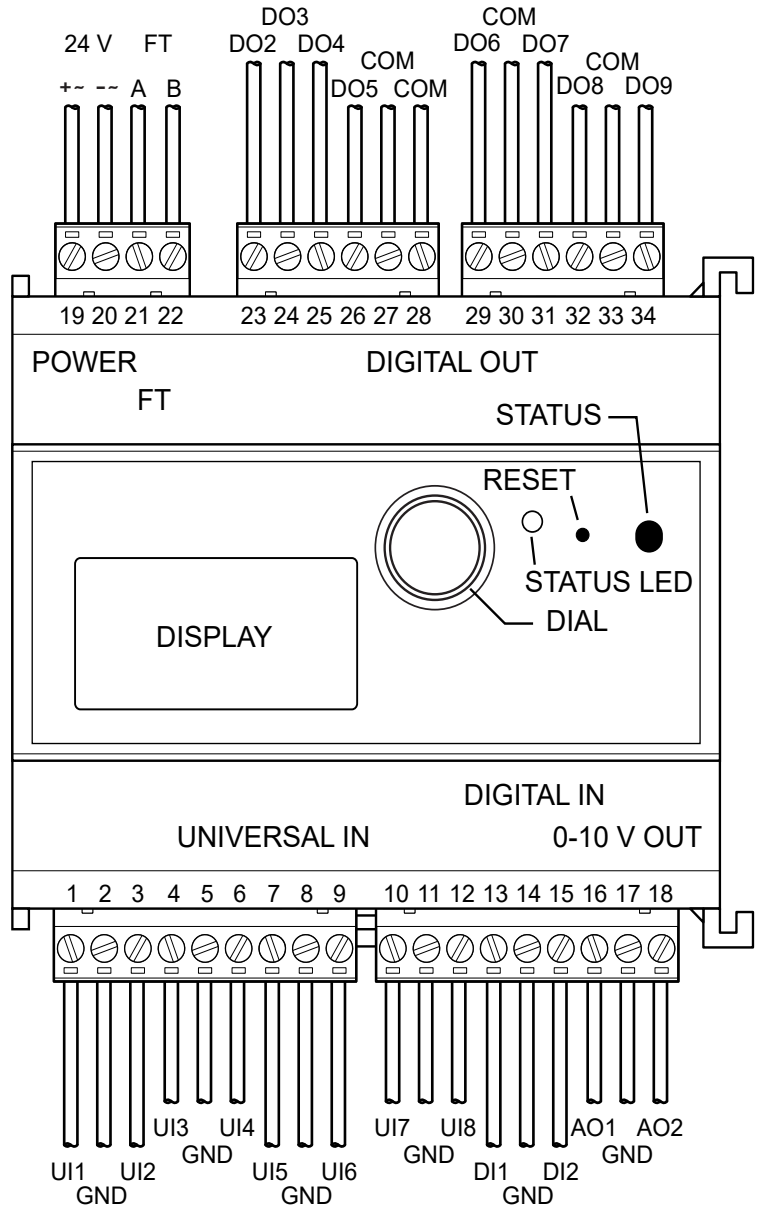
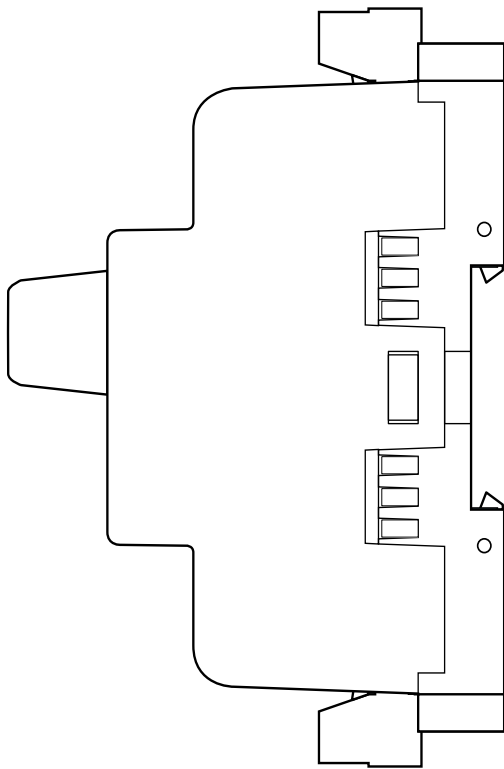
Montagevoorschrift

Istruzioni di montaggio

Instrucciones de montaje

Monteringsanvisning





Buttons	
STATUS	Status Button
RESET	Reset Button
DIAL	Turn-and-Push Dial

Connectors		
UNIVERSAL INPUT	1	Input UI1
	2	Input GND
	3	Input UI2
	4	Input UI3
	5	Input GND
	6	Input UI4
	7	Input UI5
	8	Input GND
	9	Input UI6
	10	Input UI7
	11	Input GND
	12	Input UI8
DIGITAL INPUT	13	Input DI1
	14	Input GND
	15	Input DI2
ANALOG OUTPUT 0-10 V	16	Output AO1
	17	Output GND
	18	Output AO2

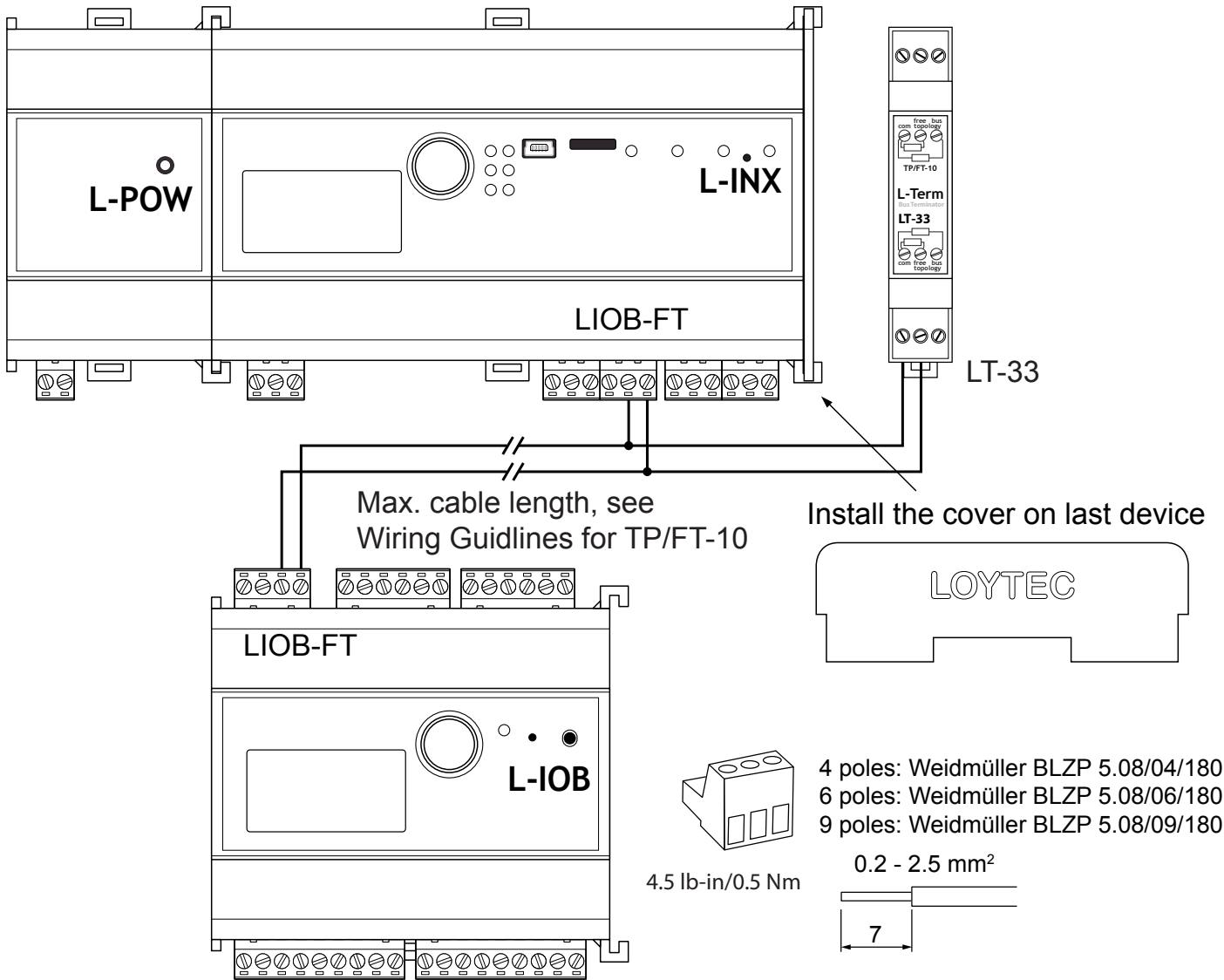
Connectors		
POWER SUPPLY	19	Input 24 V PLUS or AC
	20	Input 24 V MINUS or AC
		⚠ Do NOT ground Input 19 (+24 V)
TP/FT-10 CEA-709	21	FT Input A
	22	FT Input B
DIGITAL OUTPUT RELAY 6 A	23	Output DO2
	24	Output DO3
	25	Output DO4
	26	Output DO5
	27	Output Common for DO2 to DO5
	28	Output Common for DO2 to DO5
DIGITAL OUTPUT TRIAC 0.5 A 24-240 VAC 50 / 60 Hz	29	Output DO6
	30	Output Common for DO6 & DO7
	31	Output DO7
	32	Output DO8
	33	Output Common for DO8 & DO9
	34	Output DO9

Status LED – LIOB-FT Mode

STATUS	OFF	Unconfigured / Offline
	GREEN	Normal Operation
	ORANGE	Manual Mode
	RED	Error
	FLICKERING	Traffic
	RED FLASHING	Fallback Override

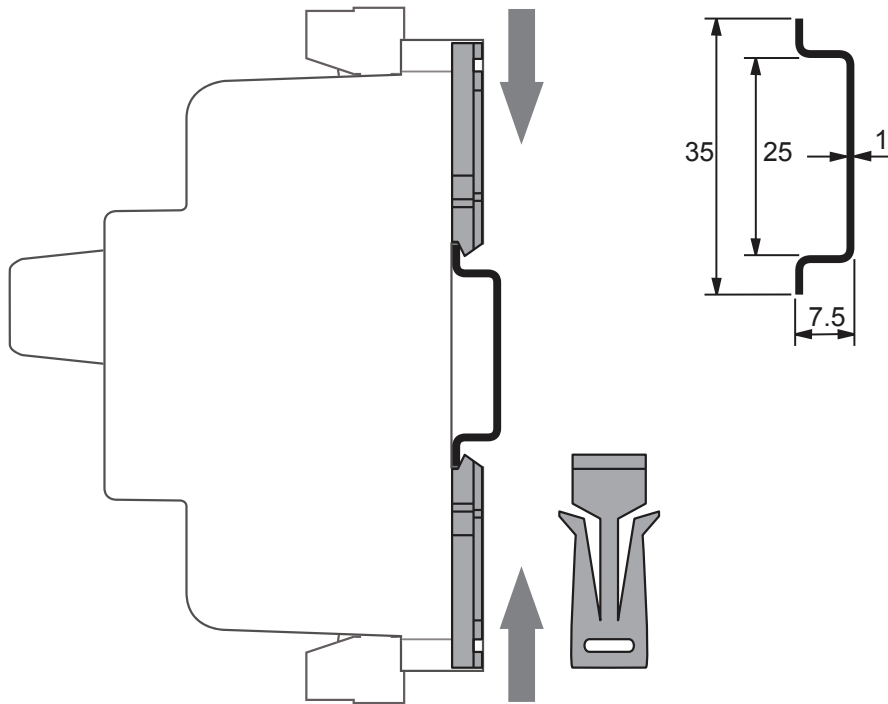
Status LED – LonMark® Mode

STATUS	OFF	Online
	FLICKERING	Traffic
	ORANGE	Manual Mode
	RED	Error
	GREEN FLASHING	Offline
	RED FLASHING	Fallback Override



Please update the firmware of the device first, see www.loytec.com

35 mm x 7.5 mm DIN rail (EN 50022, BS 5584, DIN 46277-3)



Node ID of the device

Serial number of the device

