

1 Using the L-Switch with an L-IP Backbone

Some applications require using an existing Ethernet network as the backbone channel and to use L-IPs to connect the EIA-709 segments with the IP backbone.

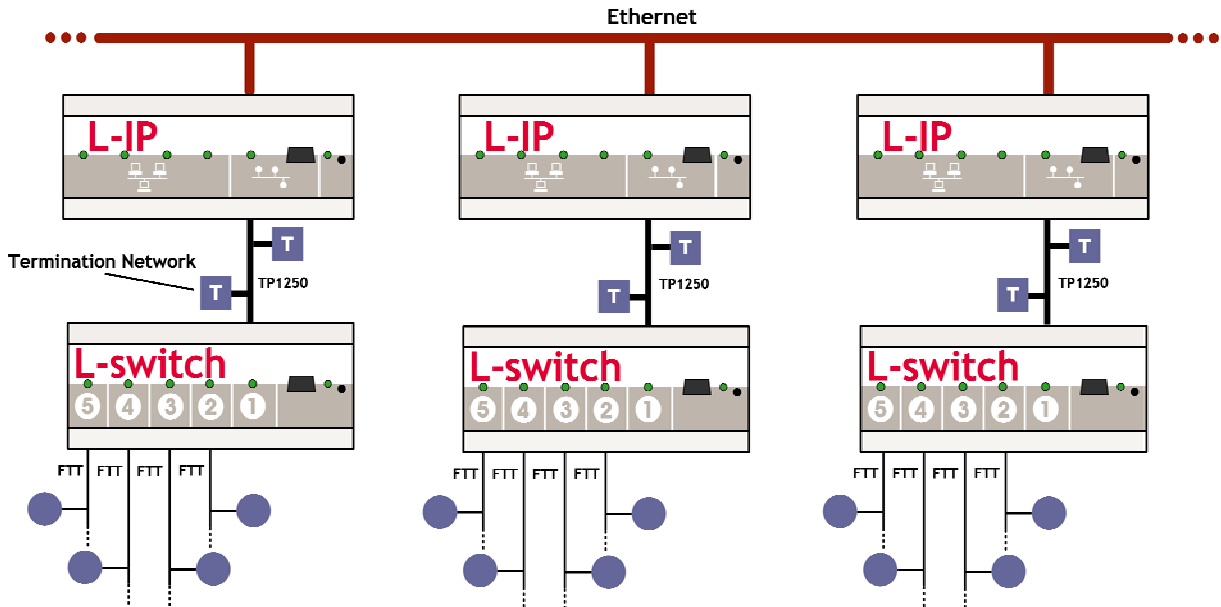


Figure 1: Using the L-Switch with an L-IP based IP backbone.

Figure 1 shows how to use the L-Switch in such an environment to improve system performance. Connect the L-IP peer-to-peer to an L-Switch using a TP-1250 channel. Do not forget correct termination on all channels. Now up to four FT-10 segments can be served by one EIA-709/IP Router instead of only one.