

LIOB-182 I/O Controller

Installation instructions

Instructions de montage

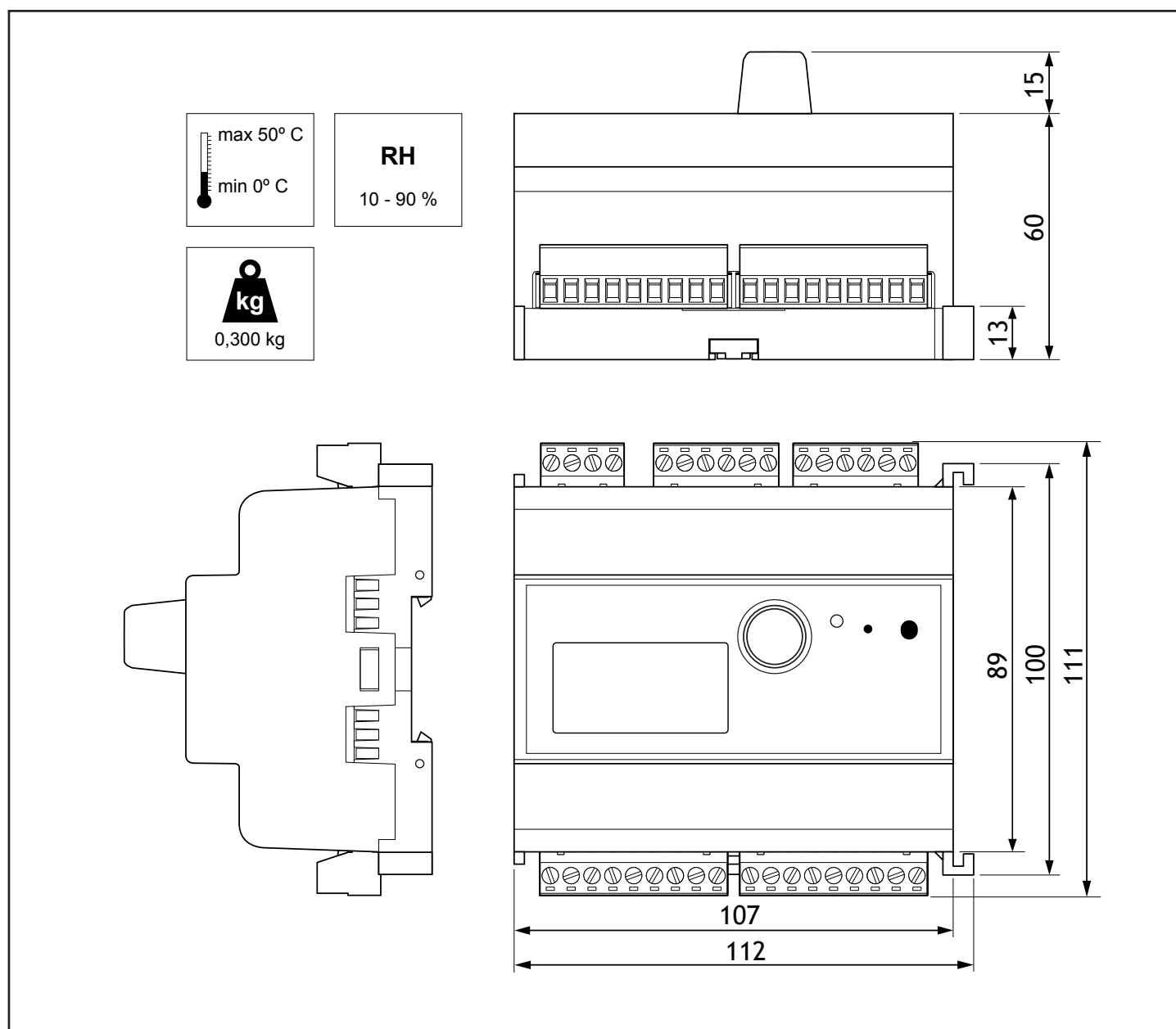
Montageanweisung

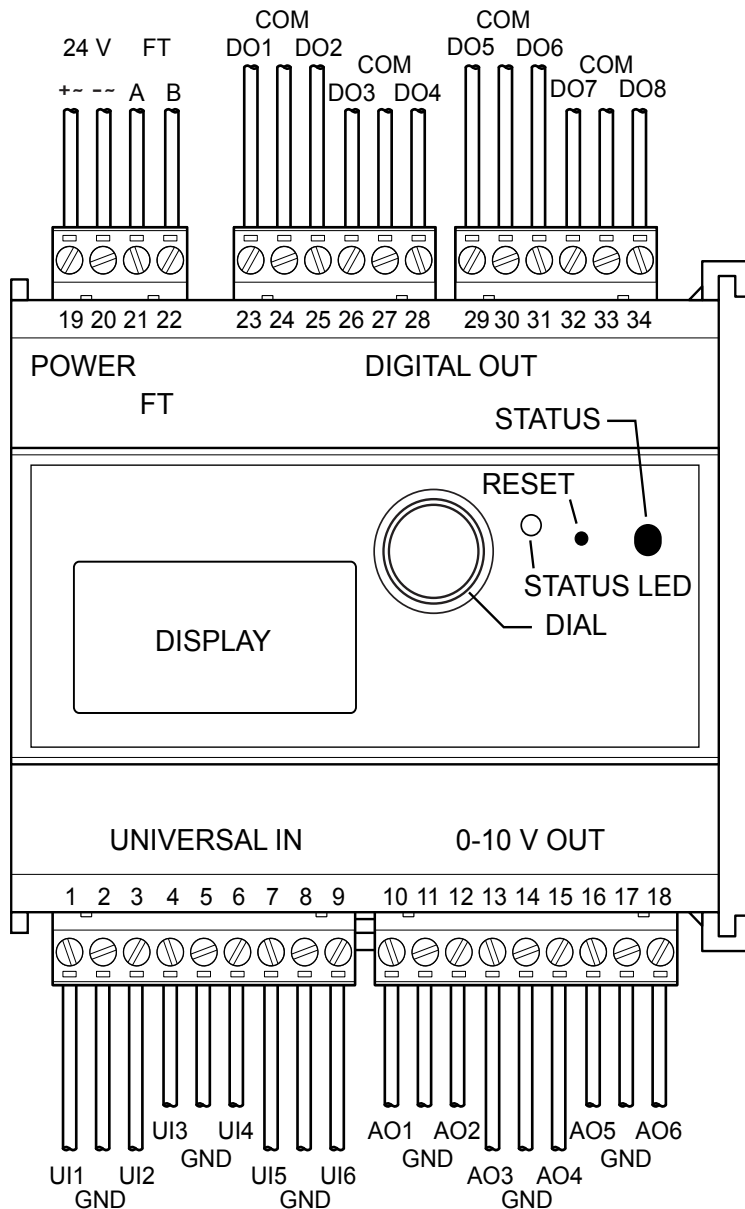
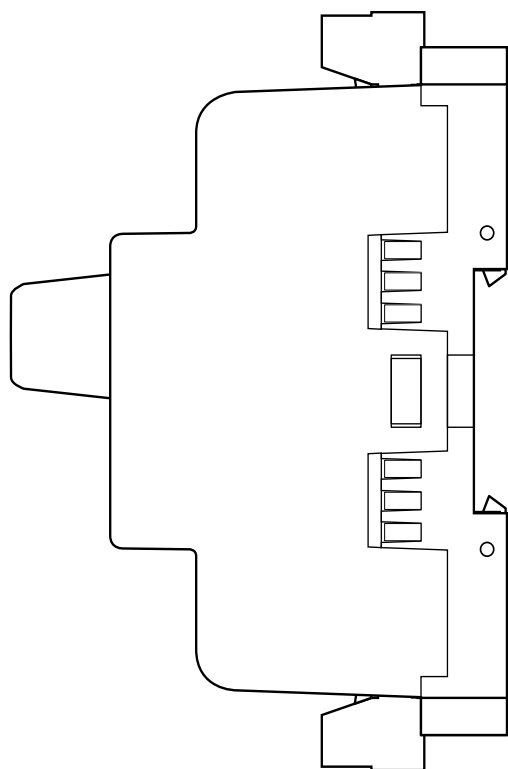
Montagevoorschrift

Istruzioni di montaggio

Instrucciones de montaje

Monteringsanvisning



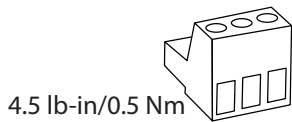


Buttons	
STATUS	Status Button
RESET	Reset Button
DIAL	Turn-and-Push Dial

Connectors		
UNIVERSAL INPUT	1	Input UI1
	2	Input GND
	3	Input UI2
	4	Input UI3
	5	Input GND
	6	Input UI4
	7	Input UI5
	8	Input GND
	9	Input UI6
ANALOG OUTPUT 0-10 V	10	Output AO1
	11	Output GND
	12	Output AO2
	13	Output AO3
	14	Output GND
	15	Output AO4
	16	Output AO5
	17	Output GND
	18	Output AO6

Connectors		
POWER SUPPLY	19	Input 24 V PLUS or AC
	20	Input 24 V MINUS or AC
		⚠ Do NOT ground Input 19 (+24 V)
TP/FT-10 CEA-709	21	FT Input A
	22	FT Input B
DIGITAL OUTPUT RELAY 6 A	23	Output DO1
	24	Output Common for DO1 & DO2
	25	Output DO2
	26	Output DO3
	27	Output Common for DO3 & DO4
	28	Output DO4
	29	Output DO5
	30	Output Common for DO5 & DO6
	31	Output DO6
	32	Output DO7
	33	Output Common for DO7 & DO8
	34	Output DO8

Status LED		
STATUS	OFF	Online
	FLICKERING GREEN	Traffic
	ORANGE	Manual Mode
	RED	Error
	GREEN FLASHING	Offline
	RED FLASHING	Fallback Override

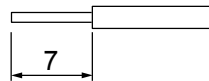


4 poles: Weidmüller BLZP 5.08/04/180

6 poles: Weidmüller BLZP 5.08/06/180

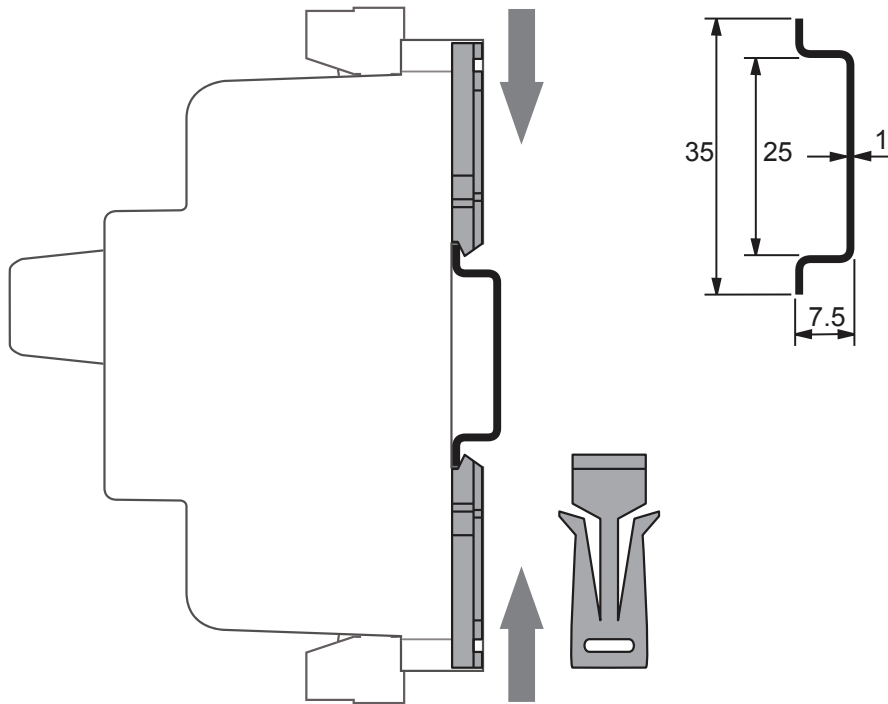
9 poles: Weidmüller BLZP 5.08/09/180

0.2 - 2.5 mm²



Please update the firmware of the device first,
see www.loytec.com

35 mm x 7.5 mm DIN rail (EN 50022, BS 5584, DIN 46277-3)



Node ID of the device

Serial number of the device

