

LIOB-180 I/O Controller

Installation instructions

Instructions de montage

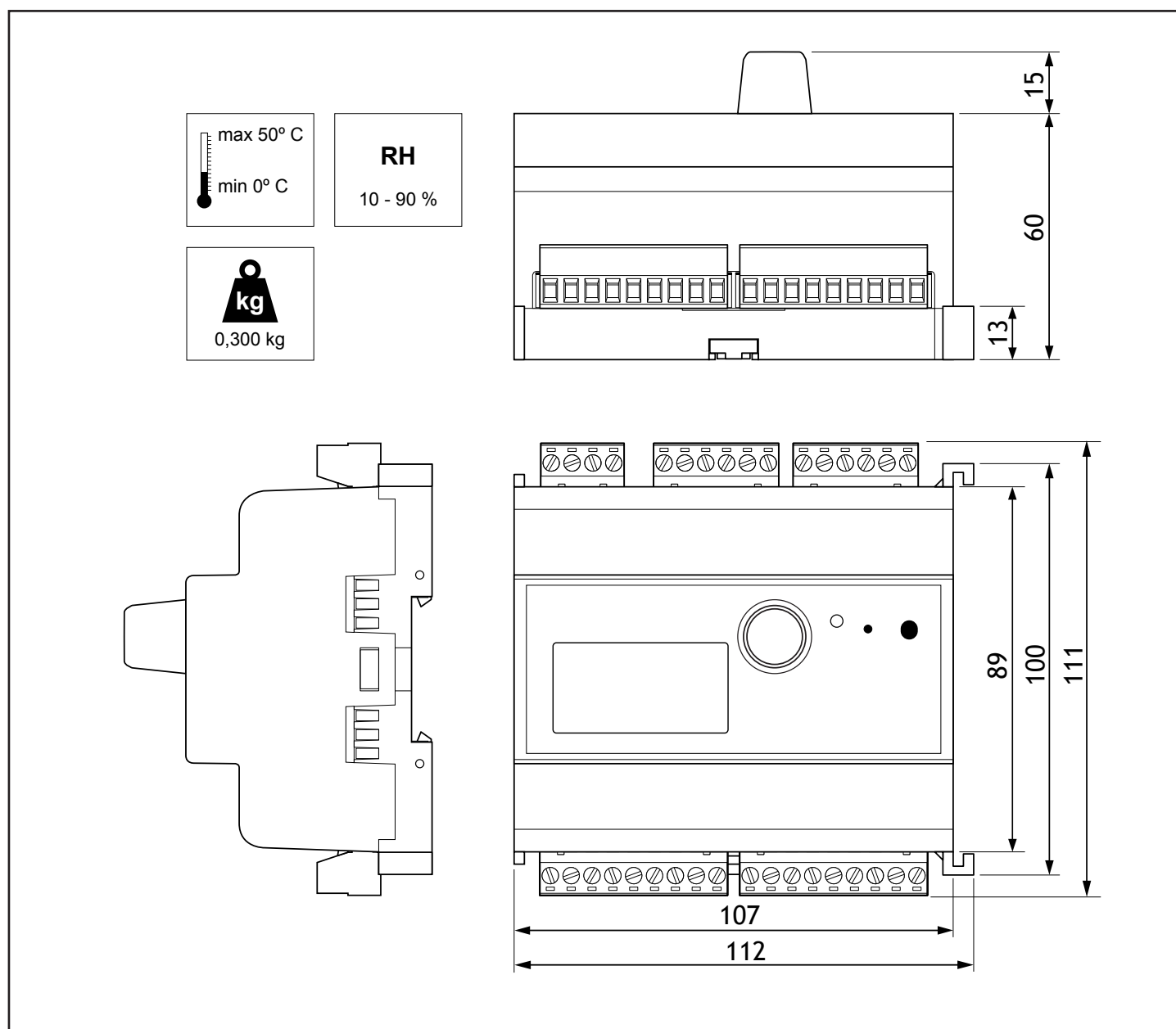
Montageanweisung

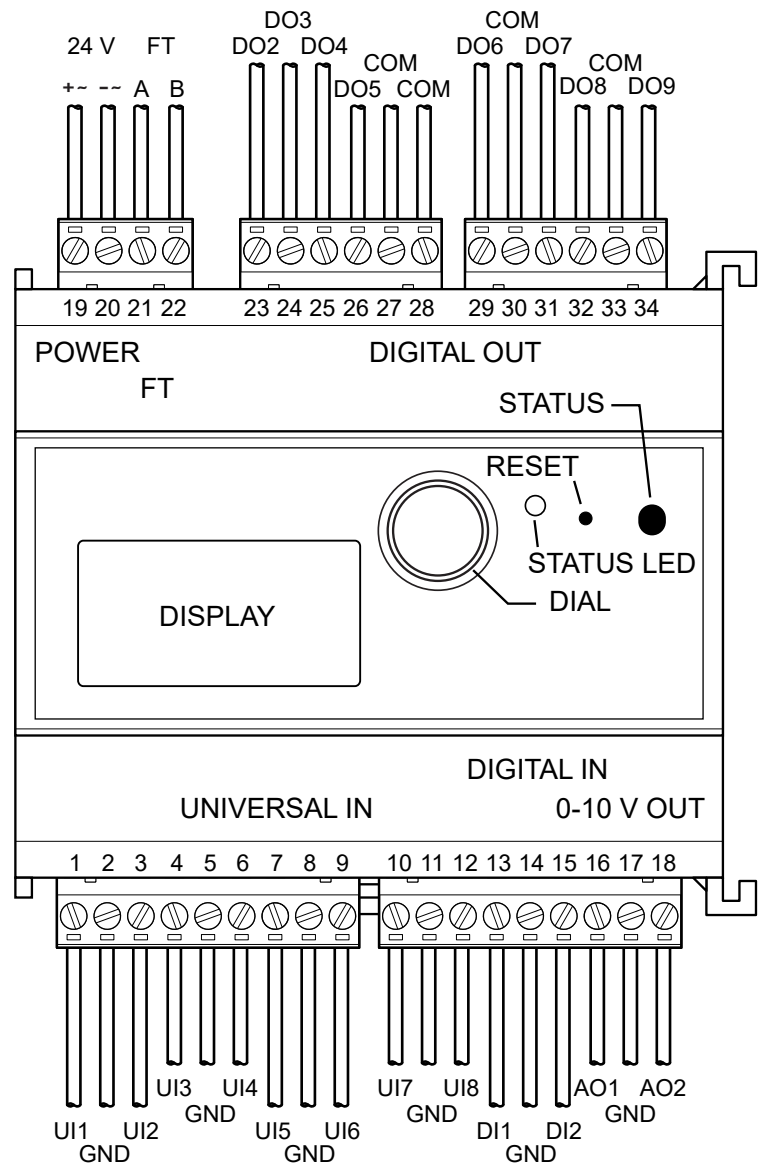
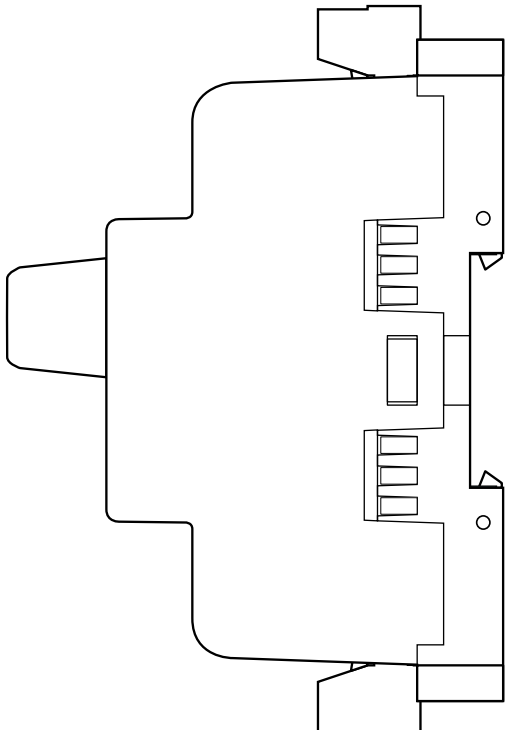
Montagevoorschrift

Istruzioni di montaggio

Instrucciones de montaje

Monteringsanvisning



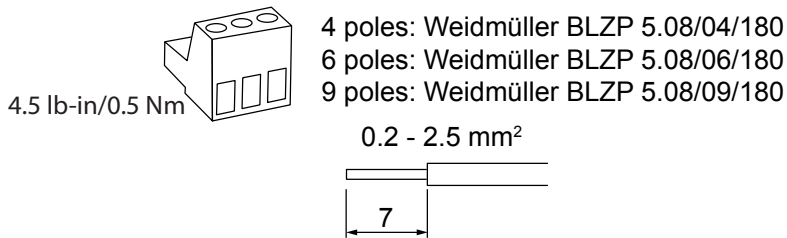


Buttons	
STATUS	Status Button
RESET	Reset Button
DIAL	Turn-and-Push Dial

Connectors		
UNIVERSAL INPUT	1	Input UI1
	2	Input GND
	3	Input UI2
	4	Input UI3
	5	Input GND
	6	Input UI4
	7	Input UI5
	8	Input GND
	9	Input UI6
	10	Input UI7
	11	Input GND
	12	Input UI8
DIGITAL INPUT	13	Input DI1
	14	Input GND
	15	Input DI2
ANALOG OUTPUT 0-10 V	16	Output AO1
	17	Output GND
	18	Output AO2

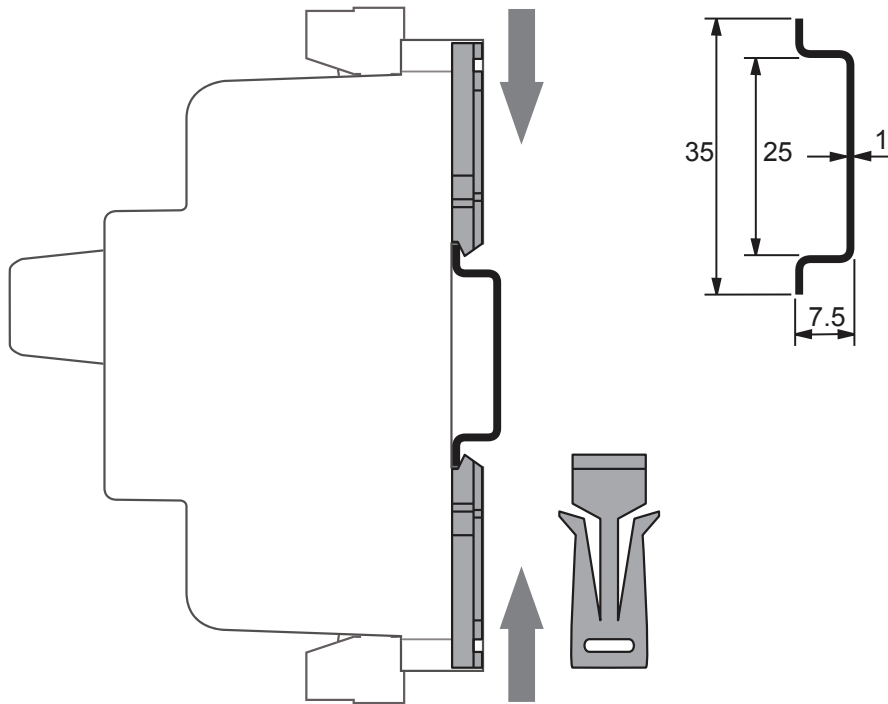
Connectors		
POWER SUPPLY	19	Input 24 V PLUS or AC
	20	Input 24 V MINUS or AC ⚠ Do NOT ground Input 19 (+24 V)
TP/FT-10 CEA-709	21	FT Input A
	22	FT Input B
DIGITAL OUTPUT RELAY 6 A	23	Output DO2
	24	Output DO3
	25	Output DO4
	26	Output DO5
	27	Output Common for DO2 to DO5
	28	Output Common for DO2 to DO5
DIGITAL OUTPUT TRIAC 0.5 A 24-240 VAC 50 / 60 Hz	29	Output DO6
	30	Output Common for DO6 & DO7
	31	Output DO7
	32	Output DO8
	33	Output Common for DO8 & DO9
	34	Output DO9

Status LED		
STATUS	OFF	Online
	FLICKERING GREEN	Traffic
	ORANGE	Manual Mode
	RED	Error
	GREEN FLASHING	Offline
	RED FLASHING	Fallback Override



Please update the firmware of the device first,
see www.loytec.com

35 mm x 7.5 mm DIN rail (EN 50022, BS 5584, DIN 46277-3)



Node ID of the device

Serial number of the device

